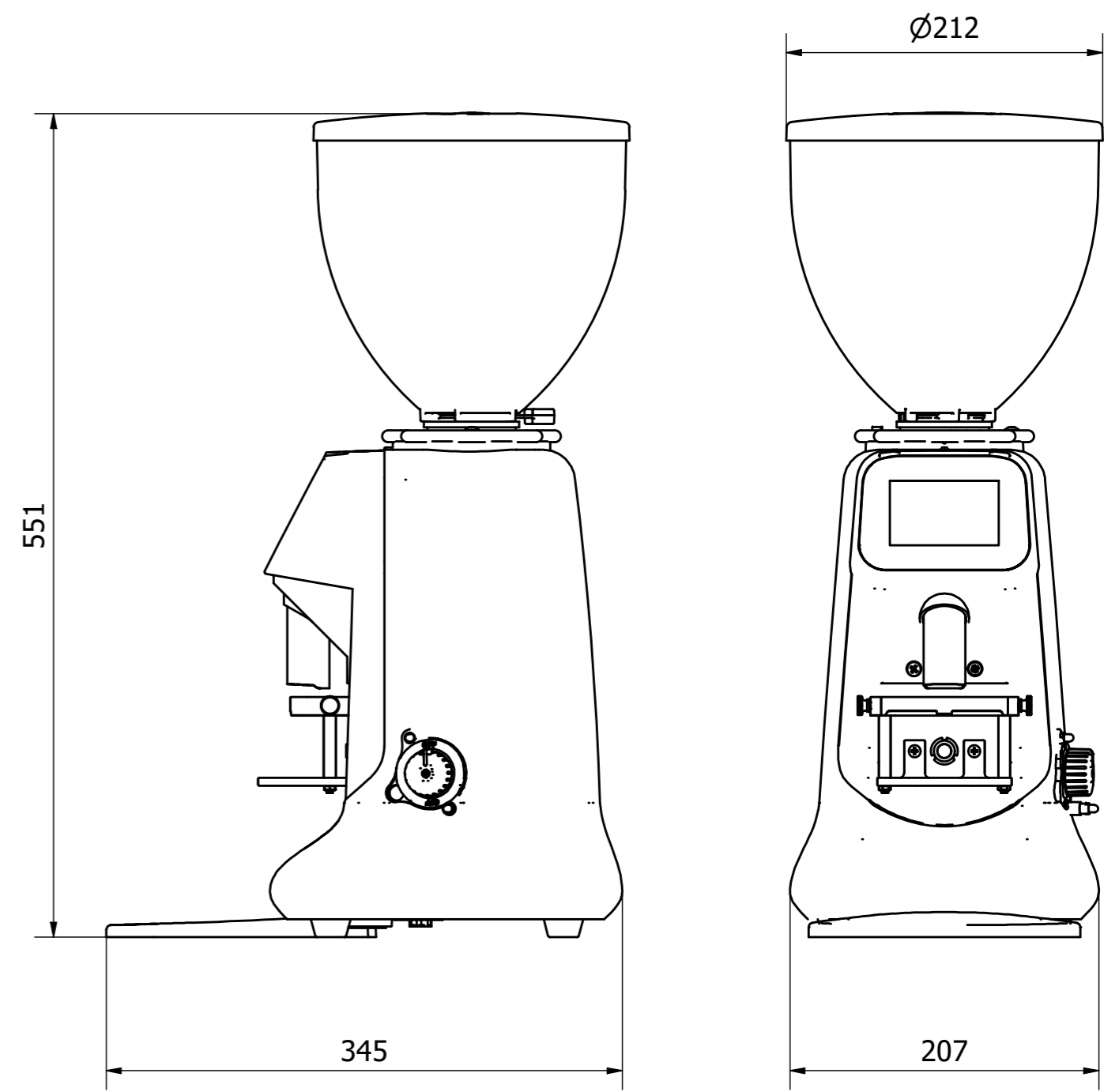
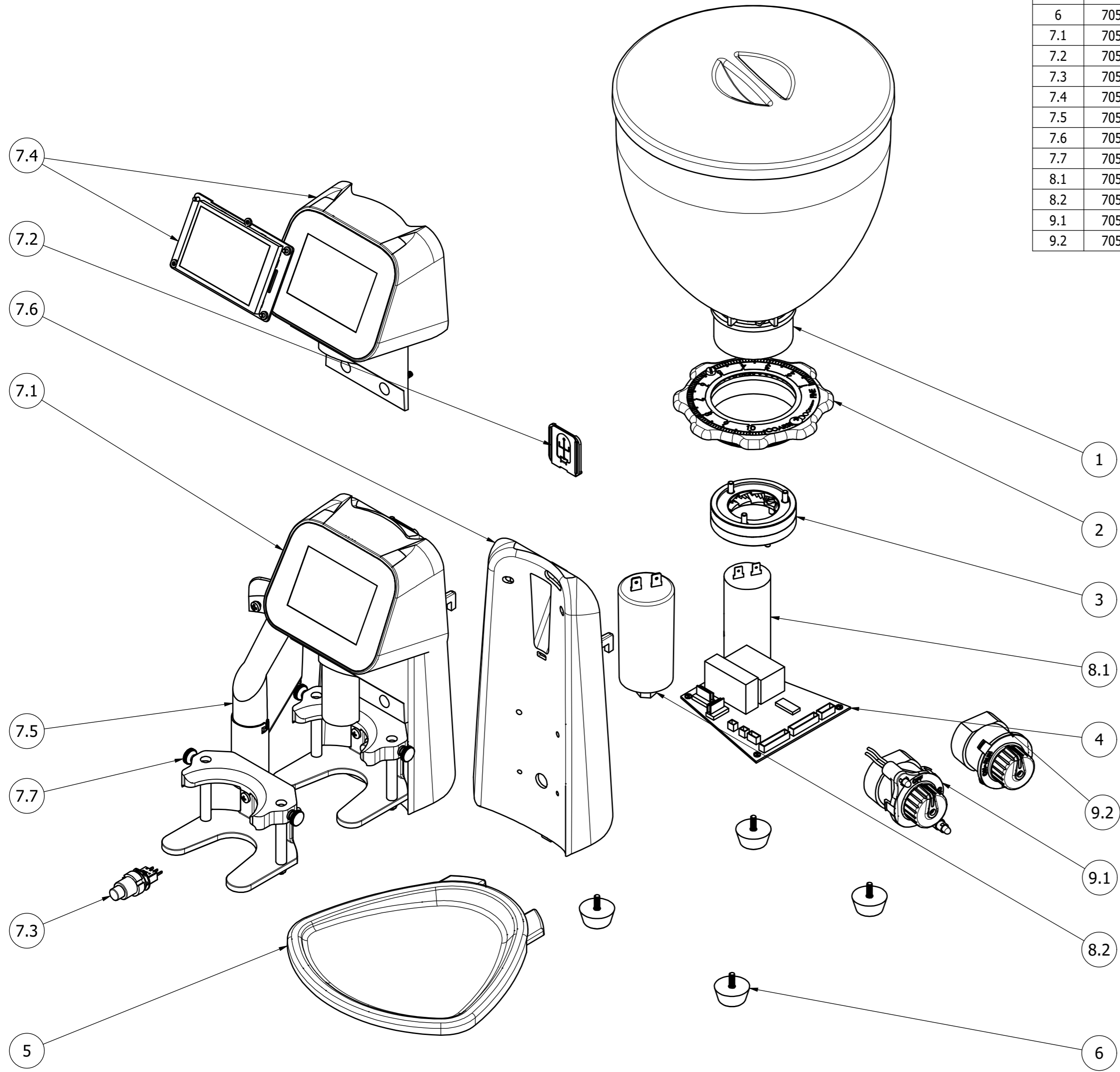

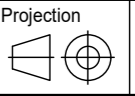


Parts list					
Pos	SAP N°	U8+ no.	Description English	Description	Part N°
1	704715	"600P0004"	SP Beanhopper Titan/HC-600 B 1.2kg	SP Bohnenbehälter Titan/HC-600 B 1.2kg	01036351
2	705085	600M0080	SP Adjustment ring HC-600	SP Verstellring HC-600	01036352
3	704732	600M0138	SP MSTP-64/12-12/200-86 CW SV1 'HC-600'	SP MSTP-64/12-12/200-86 CW SV1 'HC-600'	01035695
4	705084		SP Powerboard HC-600 B	SP Powerboard HC-600 B	01036341
5	701787		SP Tray HC-600	SP Auffangschale HC-600	01036325
6	705086		SP4 R-Buffer GS D26.5x12/D5.2	SP4 R-Puffer GS D26.5x12/D5.2	01036668
7.1	705095		SP Front HC-600 B cpl.	SP Front HC-600 B kpl.	01036363
7.2	705092	600P0012	SP Flapper HC-600	SP Flapper HC-600	01036412
7.3	705089	600E0034	SP Microswitch HC-600 B	SP Mikroschalter HC-600 B	01036384
7.4	705094	600E0033	SP 3.5" Display HC-600 B	SP 3.5" Display HC-600 B	01036365
7.5	705091	600M0140	SP Spout tube HC-600 ODG/B	SP Auslaufrohr HC-600 ODG/B	01036367
7.6	705093	"60001770"	SP Frontpanel HC-600 B	SP Frontprofil HC-600 B	01036683
7.7	705090	600M0141	SP Front module portafilter HC-600 B	SP Frontmodul Siebträger HC-600 B	01036684
8.1	705082		SP Capacitor 12µF D35x75 ZSE	SP Kondensator 12µF D35x75 ZSE	01036342
8.2	705083		SP Capacitor 36µF D40.5x82.4 ZSE	SP Kondensator 36µF D40.5x82.4 ZSE	01036344
9.1	705088	600E0014	SP Rotary switch HC-600 230V	SP Drehschalter HC-600 230V	01036331
9.2	705087		SP Rotary switch HC-600 110V	SP Drehschalter HC-600 110V	01036340



 Lebensmittelkontakt
Food contact material

Material					Type of drawing	Spare parts								
Weight	-				Projection		Format	A2	Sheet	1 / 1	Units	Metric	Scale	1 : 4
Description					SP HC-600 B aufgeschlüsselt									
Description English					SP HC-600 B disbanded									
Created by					18.12.2022 MMalutzki									
Modified by														
Released by														
SAP N°					Replacement for									
					Replacement by									
Drawing N°					01036326									
Revision					A									
Protection rights exist for all data according to DIN ISO 16016										1.1 Under Construction (development)				

